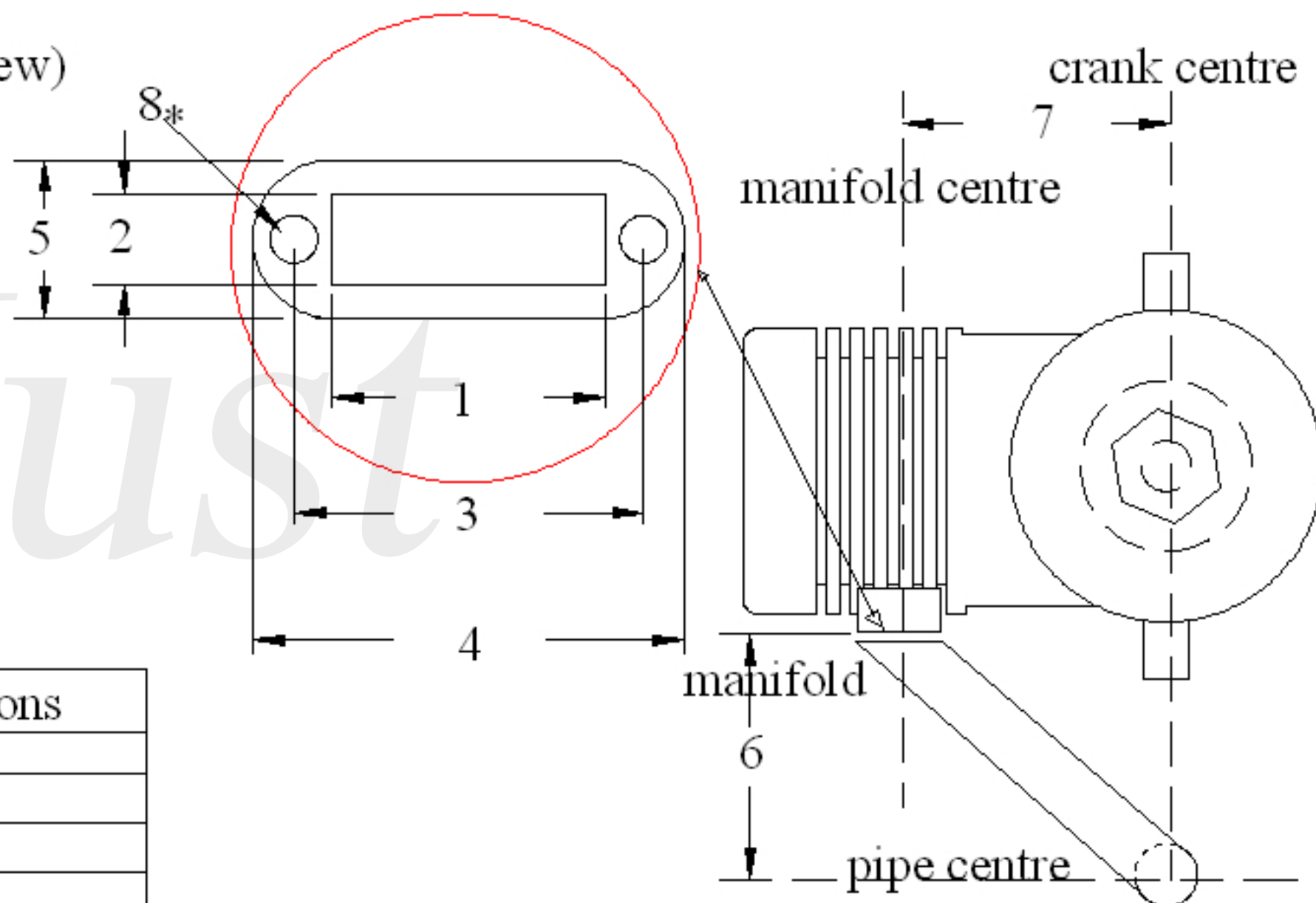


90° Bend Cranked to Crankshaft

(front view)



Dimensions

1		
2		
3		
4		
5		
6		
7		

8* Diam =

Please indicate if there is any thrust: Side = °, Down = °.
And the Make and CC of the engine.

*Is the casing threaded?